

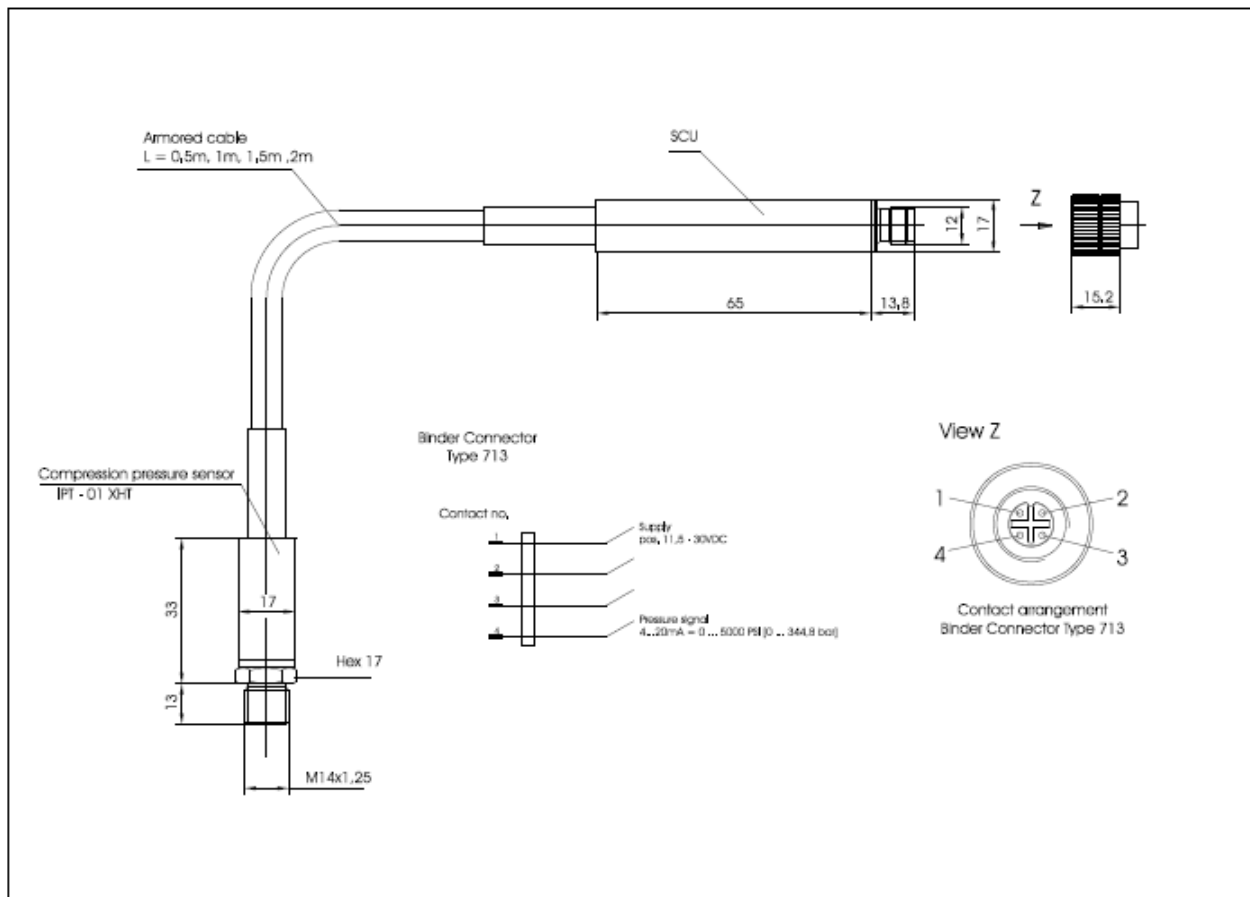
Compression Pressure Sensor IPT-01XHT

for compression pressure monitoring on Gas Compressors

- High medium temperature
- CUL - Approval

Application:

- High pressure measurements on compressions pumps





IPT-01XHT sensor installed on Kiene valve

On Gas Compressors the application of the sensors is for real time pressure inputs from the compressor cylinders.

For example:

indicated HP, rod load, volumetric efficiencies.

Technical-data Compression pressure sensor IPT-01XHT

Measuring range pressure	0...1500,-2000, -5000 psi
Overload pressure	3000, 4000, 10000 psi
Linearity	typ. 0.2% FS
Repeatability	0.1% FS
Thermal effect on zero	typ. 0.2% FS/10K
Thermal effect on span	typ. 0.1% FS/10K
Dynamic long term stability	+/- 1% FS per year
Operating temperature	max. 200°C (sensor); max. 125°C (electronic)
Excitation voltage	11.5...30 VDC
Output signal	4...20 mA, 0...10 V
Electrical connection	M 12 -Plug connection
Pressure connection	M14 x 1,25 , other threads available
Dimension	33 x Ø 17; SW 17 mm
Tightening torque	30NM
Weight	250g

Scope of supply	Part no.	Accessories	Part-No.
IPT-01XHT	IW 5501	Cable length	
Copper gasket	IW 4101	5, 10, 15, 20, 25m	IW 4120...24